

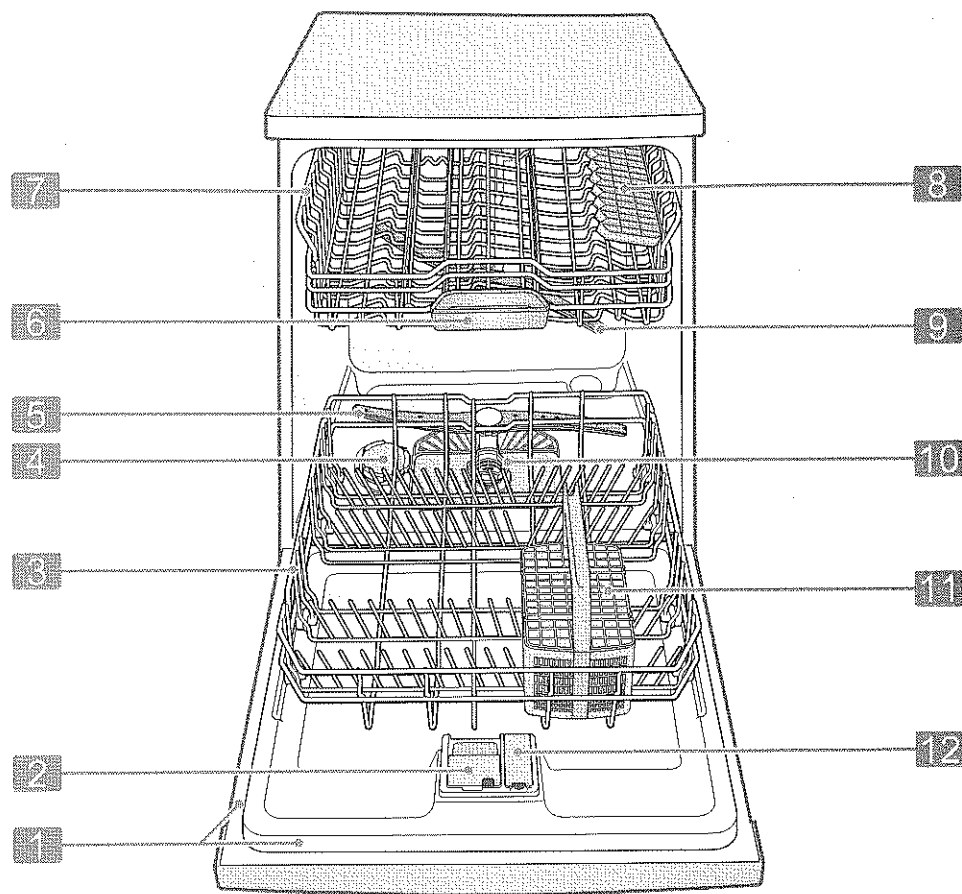
2. Insert the mains plug of the appliance into a nearby socket. The connection data for the appliance can be found on the rating plate.

3. Check that the mains plug is inserted properly.

5 Familiarising yourself with your appliance

5.1 Appliance

You can find an overview of the parts of your appliance here.



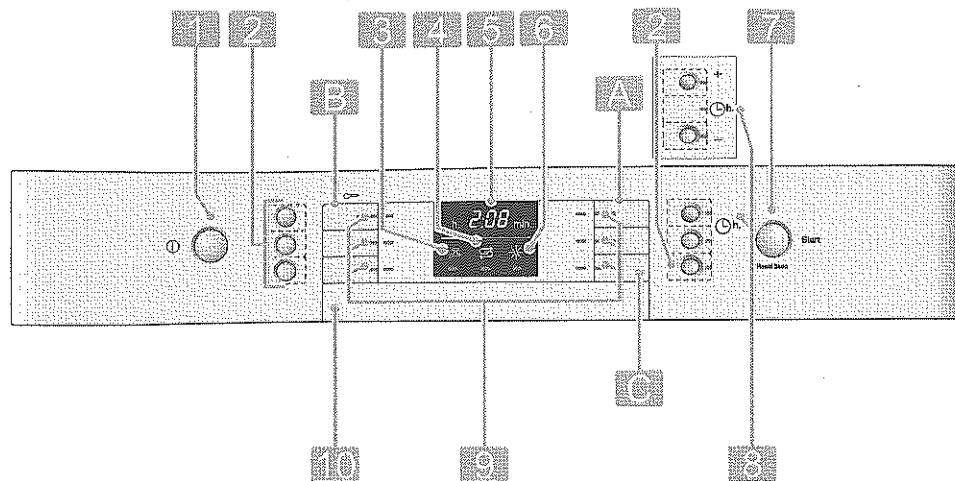
1	Rating plate	Rating plate with E number and FD number → <i>Page 48</i> . The data you need for Customer Service → <i>Page 48</i> .
2	Detergent dispenser	Add detergent to the detergent dispenser. → <i>"Detergent", Page 24</i>
3	Bottom basket	Bottom basket → <i>Page 18</i>
4	Dispenser for special salt	Add the special salt to the dispenser for special salt. → <i>"Water softening system", Page 20</i>
5	Lower spray arm	The lower spray arm washes the tableware in the bottom basket. If the tableware has not been washed properly, clean the spray arms. → <i>"Cleaning spray arms", Page 34</i>
6	Tablet collecting tray	During the wash cycle tablets automatically fall out of the detergent dispenser into the tablet collecting tray where they can fully dissolve.
7	Top basket	Top basket → <i>Page 17</i>
8	Cutlery shelf ¹	Cutlery shelf → <i>Page 19</i>
9	Upper spray arm	The upper spray arm washes the tableware in the top basket. If the tableware has not been washed properly, clean the spray arms. → <i>"Cleaning spray arms", Page 34</i>
10	Filter system	Filter system → <i>Page 33</i>
11	Cutlery basket ¹	Cutlery basket → <i>Page 19</i>
12	Dispenser for rinse aid	Add rinse aid to the dispenser for rinse aid. → <i>"Rinse aid system", Page 23</i>

5.2 Controls

You can use the control panel to configure all functions of your appliance and to obtain information about the operating status.

¹ Depending on the appliance specifications

With some buttons you can perform different functions.



1	ON/OFF button	Switching on the appliance → <i>Page 29</i> Switching off the appliance → <i>Page 30</i>
2	Programme buttons and additional functions	Programmes → <i>Page 15</i> Additional functions → <i>Page 17</i>
3	Water supply display	Display for water supply → <i>Page 36</i>
4	Special salt refill indicator	Water softening system → <i>Page 20</i>
5	Display	The display shows information about the remaining running time or the basic settings. You can change the basic settings via the display and the setting buttons. → <i>"Changing basic settings", Page 32</i>
6	Rinse aid refill indicator	Rinse aid system → <i>Page 23</i>
7	Start button Start and reset button Reset 3 sec.	Starting the programme → <i>Page 30</i> Terminating the programme → <i>Page 30</i>
8	Timer programming	Setting timer programming → <i>Page 30</i>
9	Programme buttons	Programmes → <i>Page 15</i>
10	Door handle ¹	Open the appliance door.

¹ Depending on the appliance specifications





6 Programmes

You can find an overview of the programmes that can be selected here. Different programmes, which can be found on the control panel of your appliance, are available depending on the appliance configuration.

The running time may vary depending on the programme selected. The running time depends on the water temperature, the quantity of tableware, the level of soiling and the Additional function selected. The running time and energy consumption will increase if the rinse aid system is switched off or if rinse aid needs to be added.

The consumption values can be found in the quick reference guide. The consumption values relate to normal conditions and a water hardness of 16 - 20 °E. Different influencing factors such as water temperature or pipe pressure may result in deviations.

Programme	Use	Programme sequence	Additional functions
 Intensive 70°	Tableware: ▪ Washing pots and pans, non-fragile tableware and cutlery. Level of soiling: ▪ Removing stubborn burned or dried-on food remnants containing starch and protein. When using powder detergent, you can also apply a little to the inside of the appliance door.	Intensive: ▪ Pre-Rinse ▪ Clean 70 °C ▪ Intermédiate rinse ▪ Final rinse 69 °C ▪ Drying	All → <i>"Additional functions", Page 17</i>
 auto Auto 45-65°	Tableware: ▪ Cleaning mixed tableware and cutlery. Level of soiling: ▪ Removing common household food remnants lightly dried-on.	Sensor-optimised: ▪ Optimised by sensors depending on the soiling of the washing water.	All → <i>"Additional functions", Page 17</i>

Programme	Use	Programme sequence	Additional functions
 Eco 50°	Tableware: <ul style="list-style-type: none"> ▪ Cleaning mixed tableware and cutlery. Level of soiling: <ul style="list-style-type: none"> ▪ Removing common household food remnants lightly dried-on. 	Most economical programme: <ul style="list-style-type: none"> ▪ Pre-Rinse ▪ Cleaning 50 °C ▪ Intermediate rinse ▪ Rinsing 66 °C ▪ Drying 	All → "Additional functions", Page 17
 Silence Silence 50	Tableware: <ul style="list-style-type: none"> ▪ Cleaning mixed tableware and cutlery. Level of soiling: <ul style="list-style-type: none"> ▪ Removing common household food remnants lightly dried-on. 	Reduced noise: <ul style="list-style-type: none"> ▪ PreRinse ▪ Cleaning 50 °C ▪ Intermediate rinse ▪ Rinsing 65 °C ▪ Drying 	HygienePlus ExtraDry → "Additional functions", Page 17
1h 1 hr Programme	Tableware: <ul style="list-style-type: none"> ▪ Cleaning mixed tableware and cutlery. Level of soiling: <ul style="list-style-type: none"> ▪ Removing common household food remnants lightly dried-on. 	Time-optimised: <ul style="list-style-type: none"> ▪ Cleaning 65 °C ▪ Intermediate rinse ▪ Final rinse 70 °C ▪ Drying 	ExtraDry → "Additional functions", Page 17
 PreRinse	Tableware: <ul style="list-style-type: none"> ▪ Cleaning all types of dishes. Level of soiling: <ul style="list-style-type: none"> ▪ Cold rinsing, intermediate cleaning. 	Cold rinse: <ul style="list-style-type: none"> ▪ Pre-Rinse 	None
 Machine Care	-	Machine Care 70 °C	None

6.1 Information for test institutes

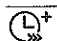
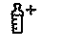
Test institutes are provided with information for comparability tests, e.g. according to EN60436.

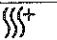
These are the conditions for conducting the tests, however they are not the results or consumption values. E-mail enquiries to: dishwasher@test-appliances.com

The product number (E-Nr.) and the production number (FD) are required here. They can be found on the rating plate on the appliance door.

7 Additional functions

You can find an overview of the additional functions that can be selected here. Different additional functions, which can be found on the control panel of your appliance, are available depending on the appliance configuration.

Additional function	Use
 VarioSpeed-Plus	<ul style="list-style-type: none"> ▪ The running time is shortened by 20% to 66% depending on the washing programme. ▪ Energy and water consumption are increased.
 Hygiene+ HygienePlus	<ul style="list-style-type: none"> ▪ To ensure a higher hygiene status for the appliance and tableware, the temperature is raised and maintained for an extra-long period. ▪ Especially suitable for cleaning chopping boards or baby bottles. ▪ Continuous use of this function increases the hygiene status. ▪ This will increase the running time and energy consumption.

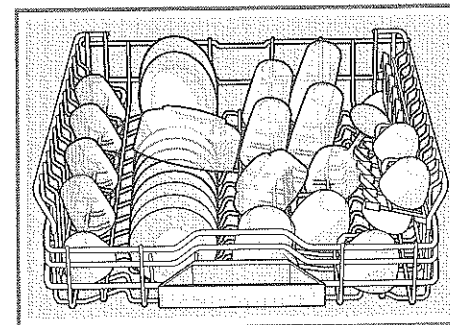
Additional function	Use
 ExtraDry	<ul style="list-style-type: none"> ▪ For a better drying result the final rinse temperature is increased and the drying phase extended. ▪ Especially suitable for drying plastic parts. ▪ There is a slight increase in energy consumption and the running time is extended.

8 Features

You can find an overview of the possible features of your appliance and how to use them here. These features depend on the model of your appliance.

8.1 Top basket

Arrange cups, glasses and small items of tableware in the top basket.

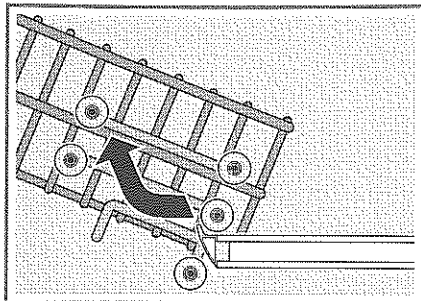


You can adjust the height of the top basket to make room for larger items of tableware.

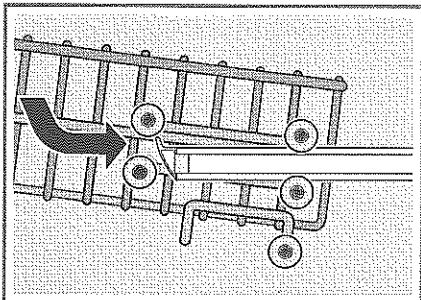
Adjusting top basket with pairs of rollers

To wash large items of tableware in the baskets, adjust the shelf position of the top basket.

1. Pull out the top basket.
2. Remove the basket.



3. Re-attach the basket to the upper rollers (setting 3) or lower rollers (setting 1).

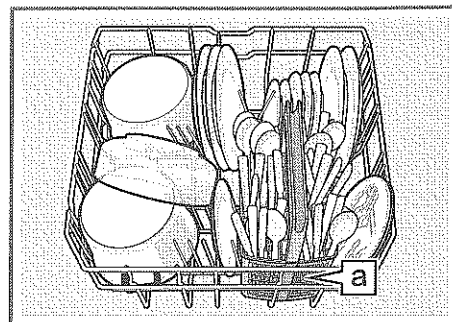


Check that the basket is level on both sides.

4. Slide the basket back in.

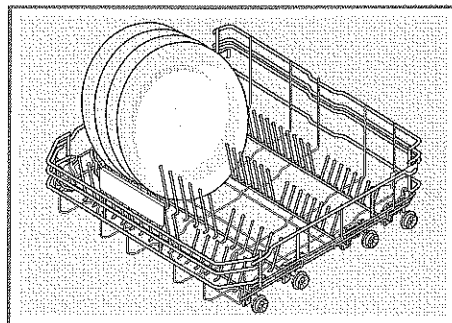
8.2 Bottom basket

Arrange pans and plates in the bottom basket.



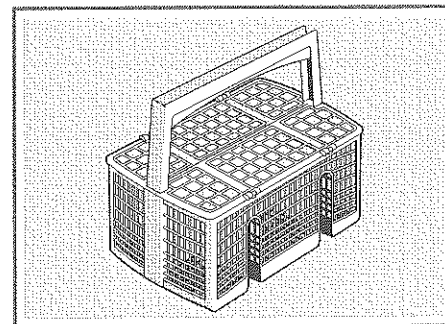
Cutlery basket ¹

Large plates up to a diameter of 31/34 cm ¹ can be arranged as shown.



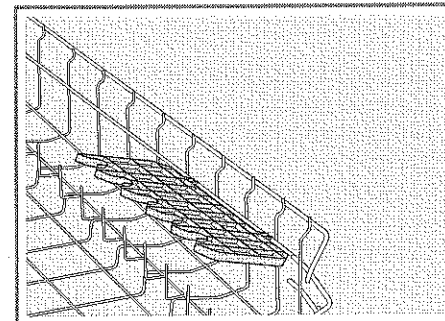
8.3 Cutlery basket

Arrange cutlery in the cutlery basket, always without sorting it and with the sharp points downwards.



8.4 Etagere

Use the cutlery shelf and space underneath for small cups and glasses or for large items of cutlery, e.g. cooking spoons or serving cutlery.

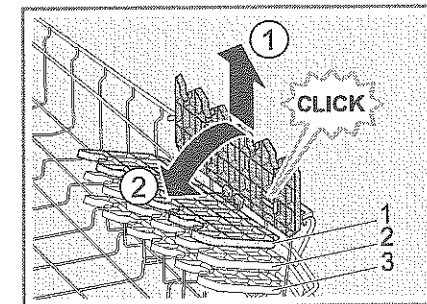


If you do not need the cutlery shelf, you can fold it up.

Adjusting etagere ¹

You can adjust the height of the etagere.

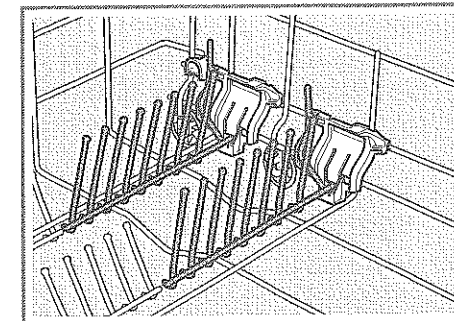
1. Position the etagere vertically and pull it upwards [ⓐ].



2. Position the etagere at a slight angle and move to the right height [ⓑ].
3. Push the etagere down. ✓ The etagere clicks into position.

8.5 Folding prongs

Use the folding prongs to position tableware securely, e.g. plates.



You can fold the prongs down to position pans, bowls and glasses better. ¹

Folding down prongs ¹

If you do not need the prongs, fold them down.

¹ Depending on the appliance specifications

¹ Depending on the appliance specifications